

Product Datasheet

GPS Magnetantenne

GPS/GLONASS Magnetic/Adhesive Mount

Key Features

GPS/GLONASS/QZSS/Galileo

- 1575-1606 MHz

Magnetic/Adhesive Mount

Pre-Filter

Voltage 1.5 - 3.6 V

Ground Plane Independent

Customizable Cable and Connector

Dimensions 41 x 34 x 13.5/14.5 mm

Certificate IP67

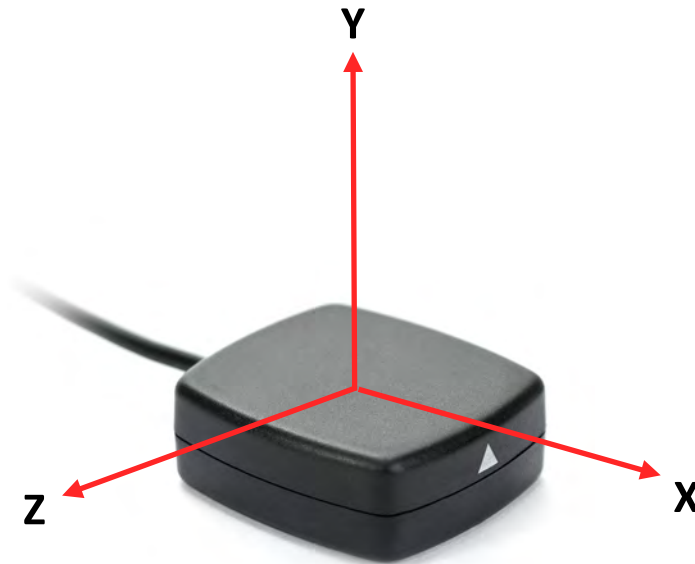


1. Antenna and electrical specifications

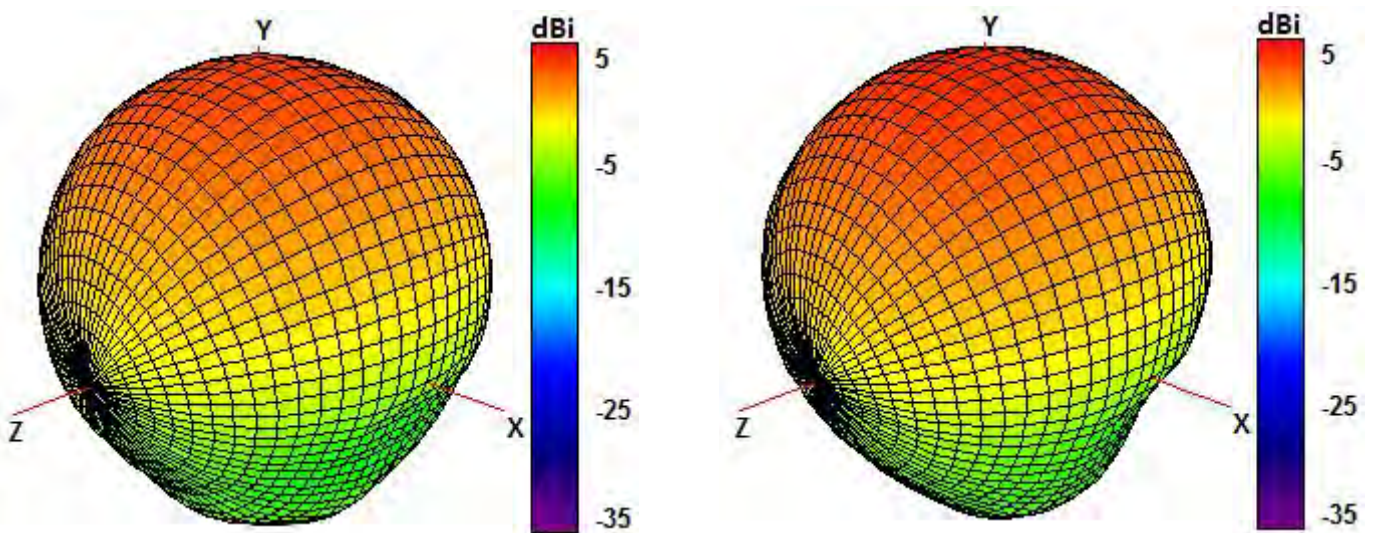
Parameters	GPS/GLONASS Antenna	
	GPS/QZSS/Galileo	GLONASS
Standard	GPS/QZSS/Galileo	GLONASS
Band (MHz)	1575	1602
Frequency(MHz)	1575.42	1598-1606
Patch Size (mm)	25 x 25 x 4	
Return Loss (dB)	<=-15.0 dB	
VSWR	<=1.4:1 dB	
Impedance	50	
Radiation Pattern	Hemispherical	
Polarization	RHCP	
Saw Filter	Pre-Filter	
Active Gain (dB)	28 @ 2.7 V	
Noise Figure (dB)	1.5 Typ	
Voltage (V)	1.5 – 3.6	
Current (mA)	9 Typ	
Power Consumption (mW)	24.3 Typ	
ESD Protection	2 kV	
Connector Type	SMA-Male Standard (Other Connectors Available)	
Cable Length	300 cm Standard (Any Cable Length Available)	
Cable Type	RG174 Standard (Other Cables Available)	

2. Mechanical and environmental specifications

Specifications	
Mounting Type	Magnetic/Adhesive Mount
Dimensions (mm)	41 x 34 x 13.5/14.5
Radome Type	ABS
Radome Color	Black
Antenna Base	ABS
Operating Temperature (C)	-40 to +85
Storage Temperature (C)	-40 to +85
Certificate	IP67
Substance Compliance	RoHS

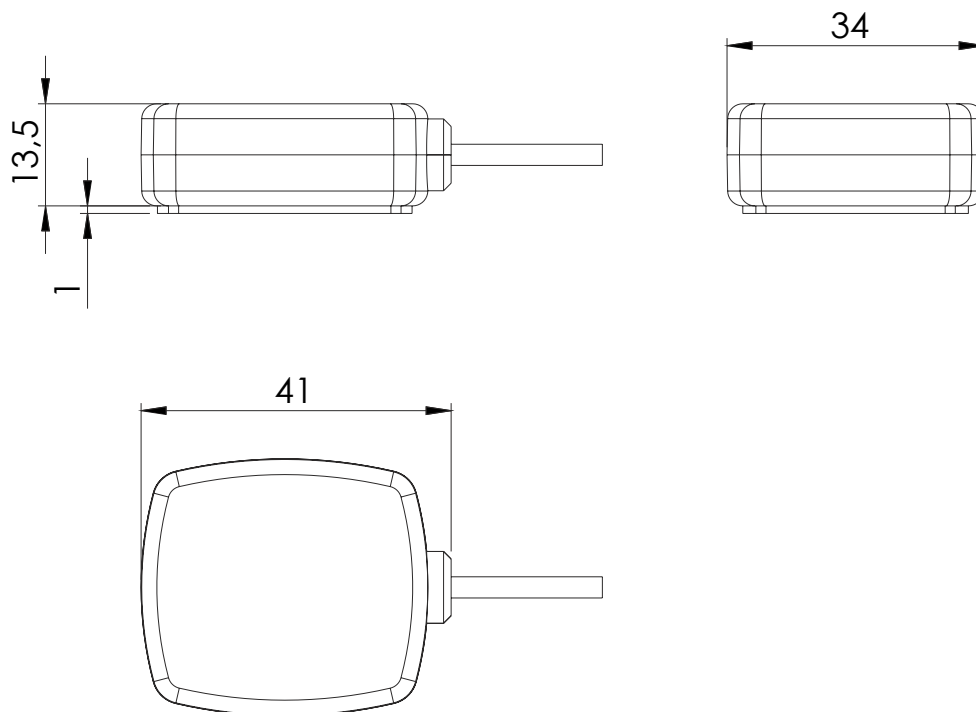


Radiation pattern reference



1575 MHz and 1600 MHz Radiation pattern

3. Antenna drawings



4. Antenna Images

